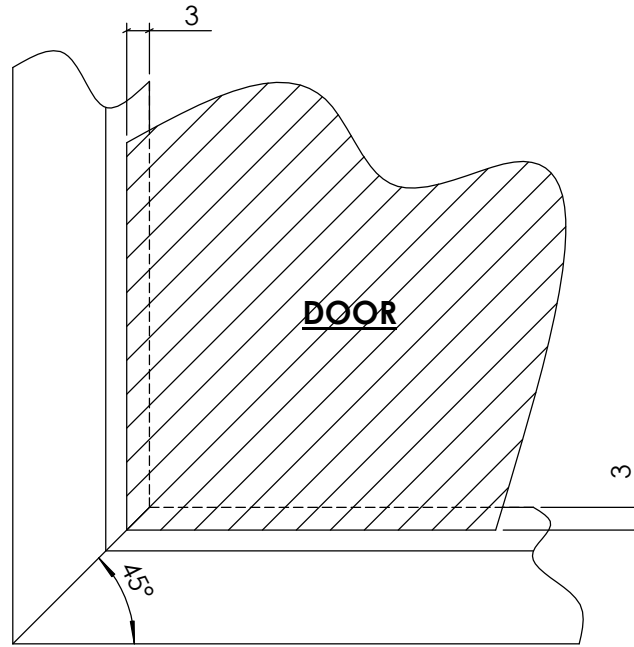


ISSUED FOR PRODUCTION:

DATE



**4 SIDED FRAME**

THE INFORMATION CONTAINED IN THIS DRAWING IS THE SOLE PROPERTY OF FIBREGLASS DEVELOPMENTS LTD ANY REPRODUCTION IN PART OR WHOLE WITHOUT THE WRITTEN PERMISSION OF FIBREGLASS DEVELOPMENTS LTD IS PROHIBITED.

ALL NONCRITICAL DIMENSIONS ASSUMED TO HAVE  $\pm 2\%$  TOLERANCE UNLESS OTHERWISE STATED  
CRITICAL DIMENSIONS (MARKED \*) AS DETAILED.

UNLESS OTHERWISE SPECIFIED  
DIMENSIONS ARE IN MM.



CAD GENERATED DRAWING  
DO NOT MANUALLY UPDATE

**FIBREGLASS DEVELOPMENTS LTD**

APPROVALS

DATE

DRAWN: FREDDY

18/09/2006

CHECKED: .....

18/09/2006

**STERIDOR DOOR 4 SIDED FRAME**

LATEST REVISION

SIZE  
A

CODE  
STR/4S FR

DWG. NO.  
STR/4S FR1/A

REV.  
NW

MATERIAL: FIBREGLASS

FINISH: A

DATE 18/09/2006

DO NOT SCALE DRAWING