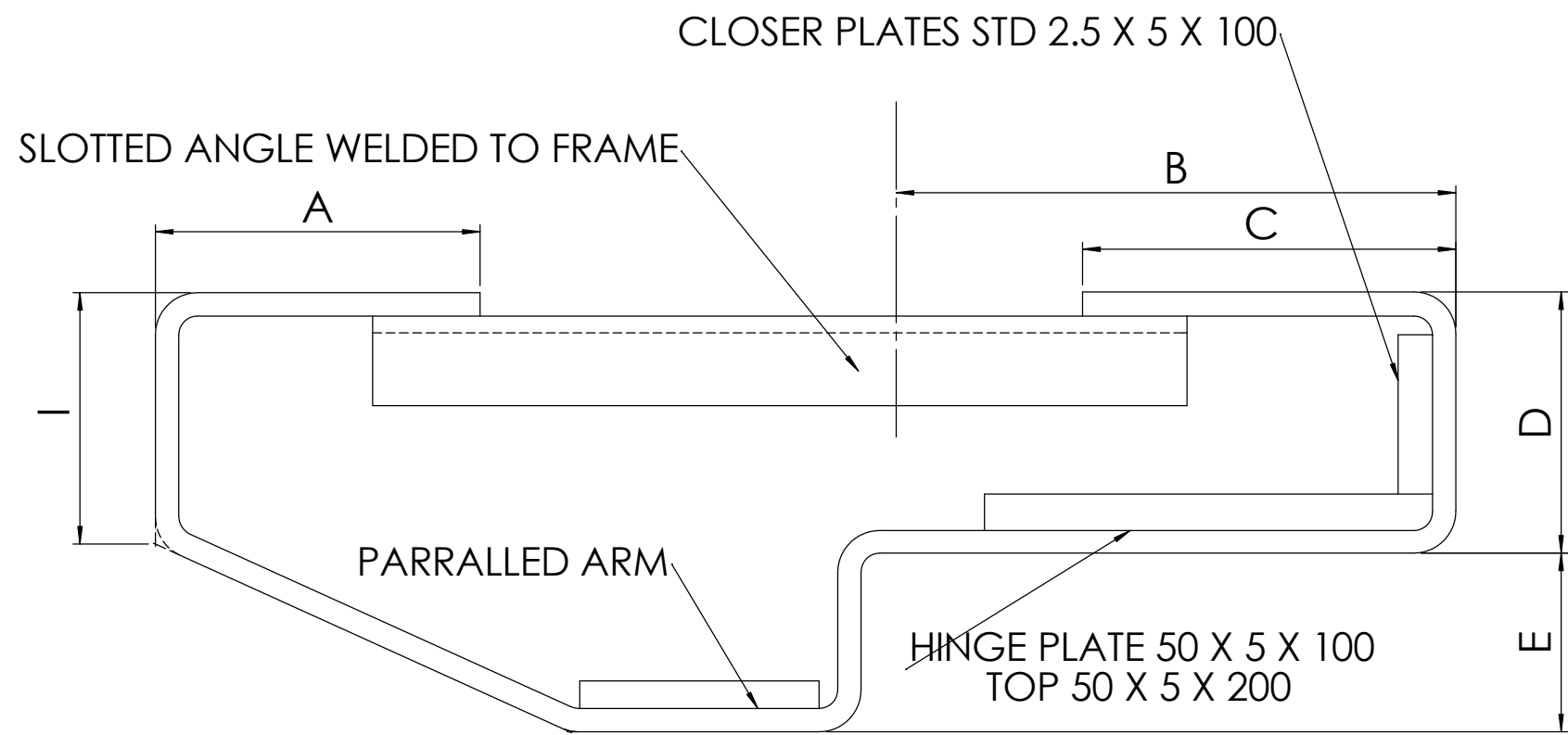



THE INFORMATION CONTAINED IN THIS DRAWING IS THE SOLE PROPERTY OF FIBREGLASS DEVELOPMENTS LTD ANY REPRODUCTION IN PART OR WHOLE WITHOUT THE WRITTEN PERMISSION OF FIBREGLASS DEVELOPMENTS LTD IS PROHIBITED.



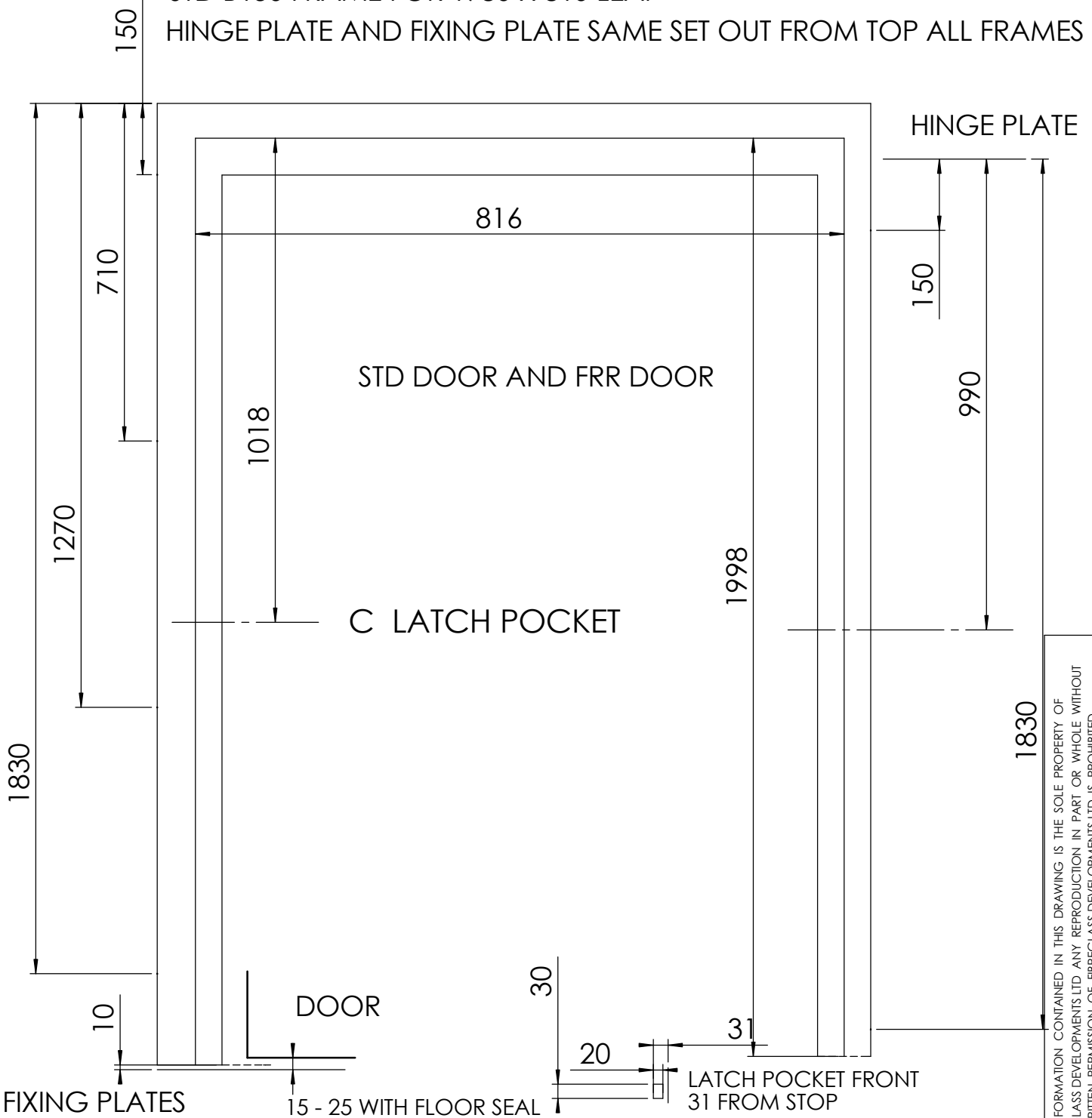
**ALL NONCRITICAL DIMENSIONS ASSUMED TO HAVE ±2% TOLERANCE UNLESS OTHERWISE STATED
CRITICAL DIMENSIONS (MARKED *) AS DETAILED.**

	UNLESS OTHERWISE SPECIFIED DIMENSIONS ARE IN MM		CAD GENERATED DRAWING DO NOT MANUALLY UPDATE		STERIDOR FRAME				
			APPROVALS	DATE					
			DRAWN: FREDDY	23/06/00		FIBREGLASS DEVELOPMENTS LTD			
			CHECKED:						
			LATEST REVISION						
MATERIAL FIBREGLASS				SIZE A	CODE	DWG. NO.	REV.		
FINISH A				SCALE	CAD FILE:				
DO NOT SCALE DRAWING		DATE:							

ISSUED FOR PRODUCTION:


DATE

STD B150 FRAME FOR 1980 X 810 LEAF
HINGE PLATE AND FIXING PLATE SAME SET OUT FROM TOP ALL FRAMES

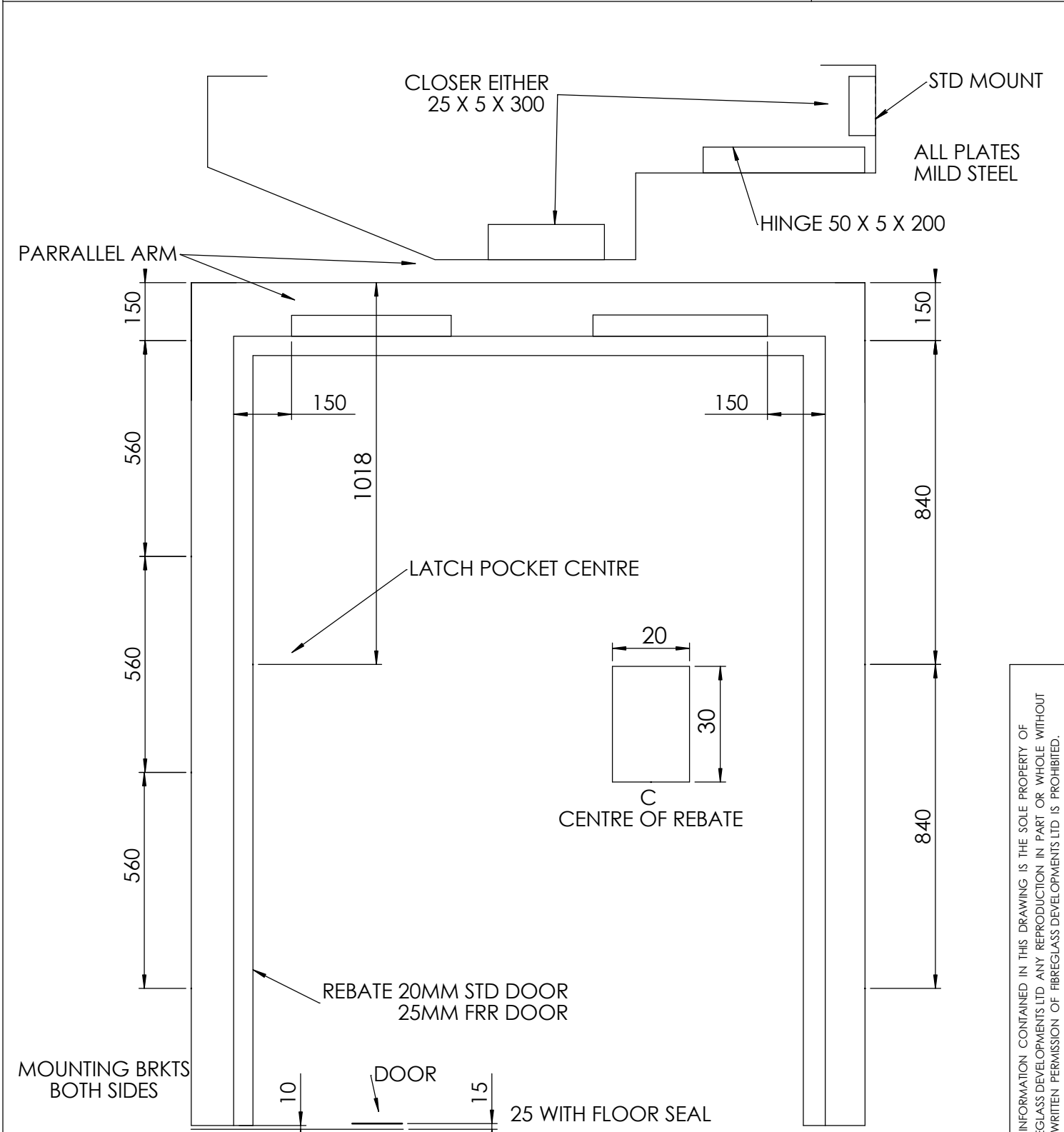


THE INFORMATION CONTAINED IN THIS DRAWING IS THE SOLE PROPERTY OF FIBREGLASS DEVELOPMENTS LTD ANY REPRODUCTION IN PART OR WHOLE WITHOUT THE WRITTEN PERMISSION OF FIBREGLASS DEVELOPMENTS LTD IS PROHIBITED.

**ALL NONCRITICAL DIMENSIONS ASSUMED TO HAVE ±2% TOLERANCE UNLESS OTHERWISE STATED
CRITICAL DIMENSIONS (MARKED *) AS DETAILED.**

UNLESS OTHERWISE SPECIFIED DIMENSIONS ARE IN MM. 	CAD GENERATED DRAWING DO NOT MANUALLY UPDATE		FIBREGLASS DEVELOPMENTS LTD			
	APPROVALS		DATE		STERIDOR STD B150 FRAME	
	DRAWN: FREDDY		23/06/00			
	CHECKED: S.BOND					
LATEST REVISION		SIZE A	CODE	DWG. NO.	REV.	
MATERIAL: FIBREGLASS	DATE		DO NOT SCALE DRAWING			
FINISH: A						

ISSUED FOR PRODUCTION: DATE

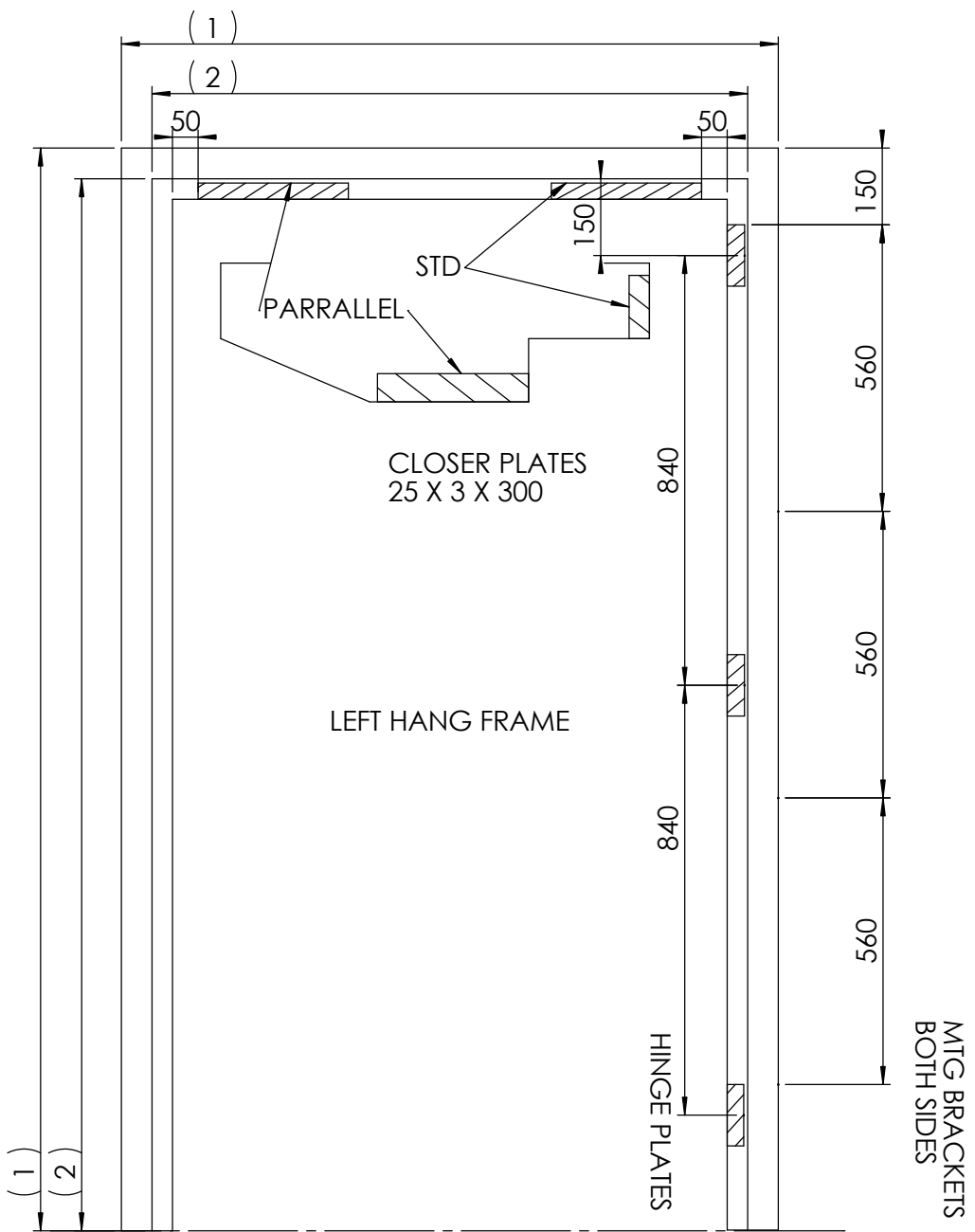


THE INFORMATION CONTAINED IN THIS DRAWING IS THE SOLE PROPERTY OF FIBREGLASS DEVELOPMENTS LTD ANY REPRODUCTION IN PART OR WHOLE WITHOUT THE WRITTEN PERMISSION OF FIBREGLASS DEVELOPMENTS LTD IS PROHIBITED.

ALL NONCRITICAL DIMENSIONS ASSUMED TO HAVE ±2% TOLERANCE UNLESS OTHERWISE STATED
CRITICAL DIMENSIONS (MARKED *) AS DETAILED.

UNLESS OTHERWISE SPECIFIED DIMENSIONS ARE IN MM. 	CAD GENERATED DRAWING DO NOT MANUALLY UPDATE		FIBREGLASS DEVELOPMENTS LTD			
	APPROVALS		DATE		STERIDORS - STD B150 FRAME PLATES & BRACKETS	
	DRAWN: FREDDY		25/05/00			
	CHECKED: S.BOND					
LATEST REVISION		SIZE A	CODE	DWG. NO.	REV.	
MATERIAL: FIBREGLASS						
FINISH: A	DATE		DO NOT SCALE DRAWING			

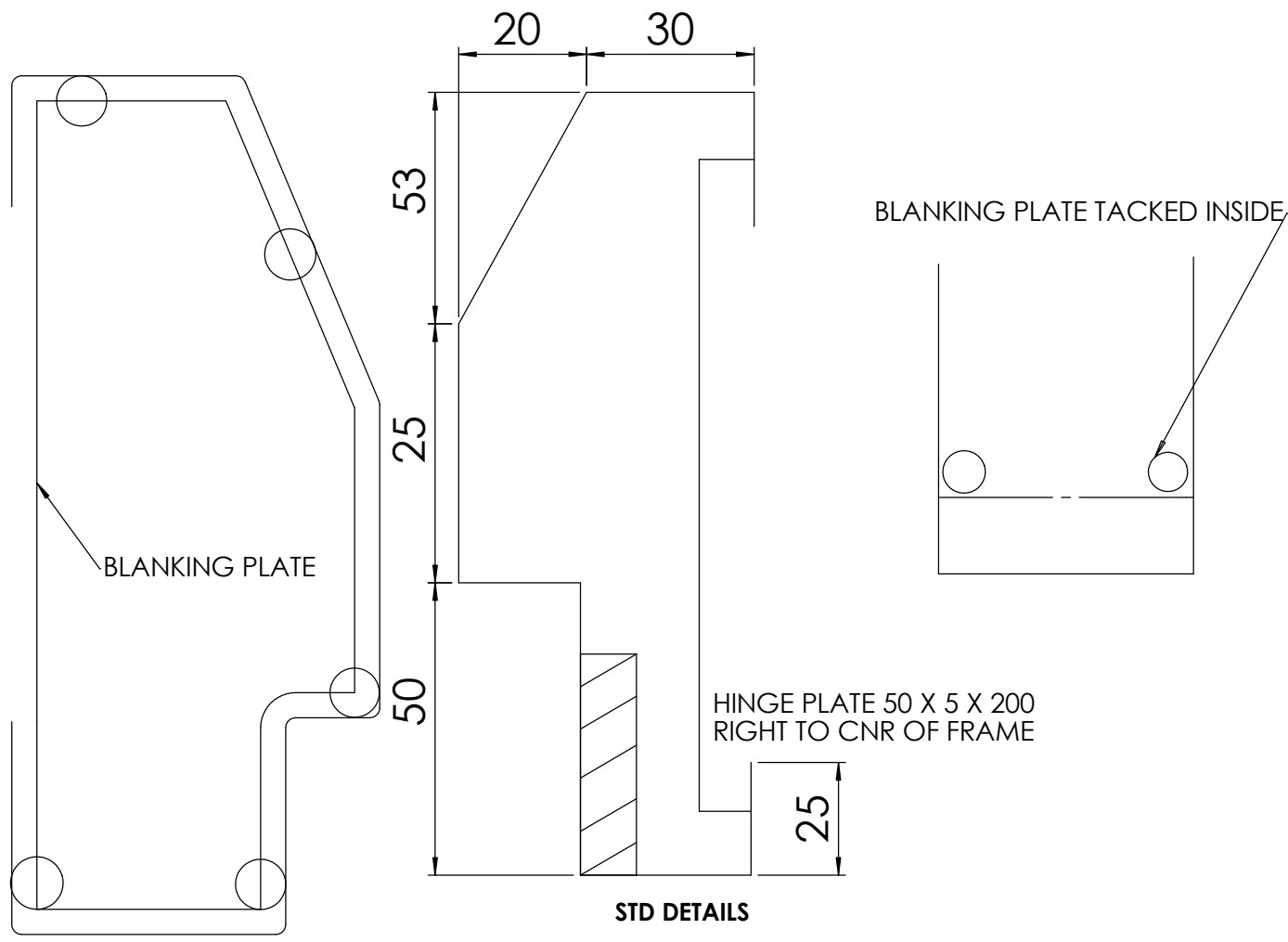
APPLICATION		REVISIONS			
NEXT ASSY.	USED ON	REV.	DESCRIPTION	DATE	APPROVED



FRAME SIZE O/ALL		HINGE REBATE	
(1)		TYPE	FLUSH/RECESS
(2)		QUANTITY	
JAMB OPENING		LATCH POCKET HGT	

UNLESS OTHERWISE SPECIFIED DIMENSIONS ARE IN MM. TOLERANCES ARE:	HINGE SIDE	CLOSE TYPE	CLOSER PLATE 150MM FROM REBATE			
	PARALLEL	STD				
	APPROVALS		DATE			
	DRAWN: FREDDY		23/06/00	<u>DOOR FRAME - STD DETAILS 1</u>		
	CHECKED: S.BOND					
MATERIAL	ENGR.		SIZE	CODE	DWG. NO.	REV.
FINISH	ISSUED		A			
DO NOT SCALE DRAWING			SCALE	WEIGHT	SHEET	

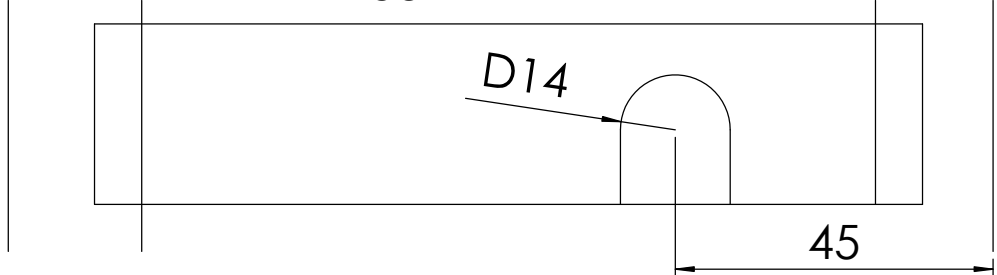
APPLICATION		REVISIONS			
NEXT ASSY.	USED ON	REV.	DESCRIPTION	DATE	APPROVED



STD DETAILS

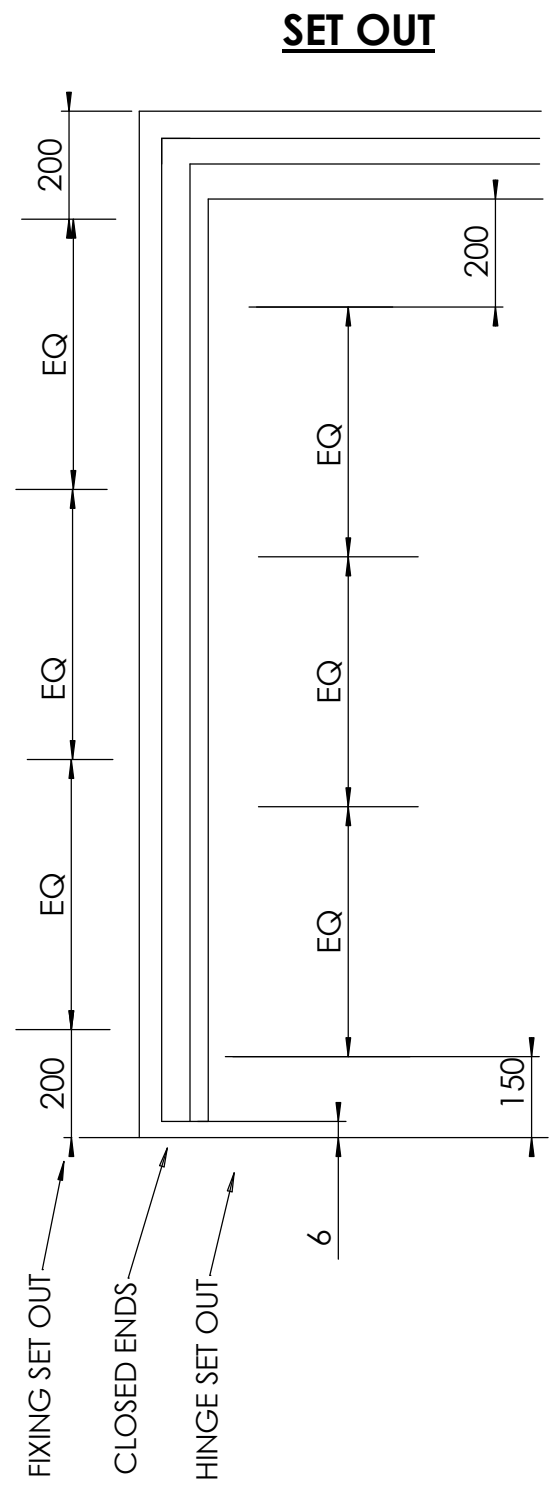
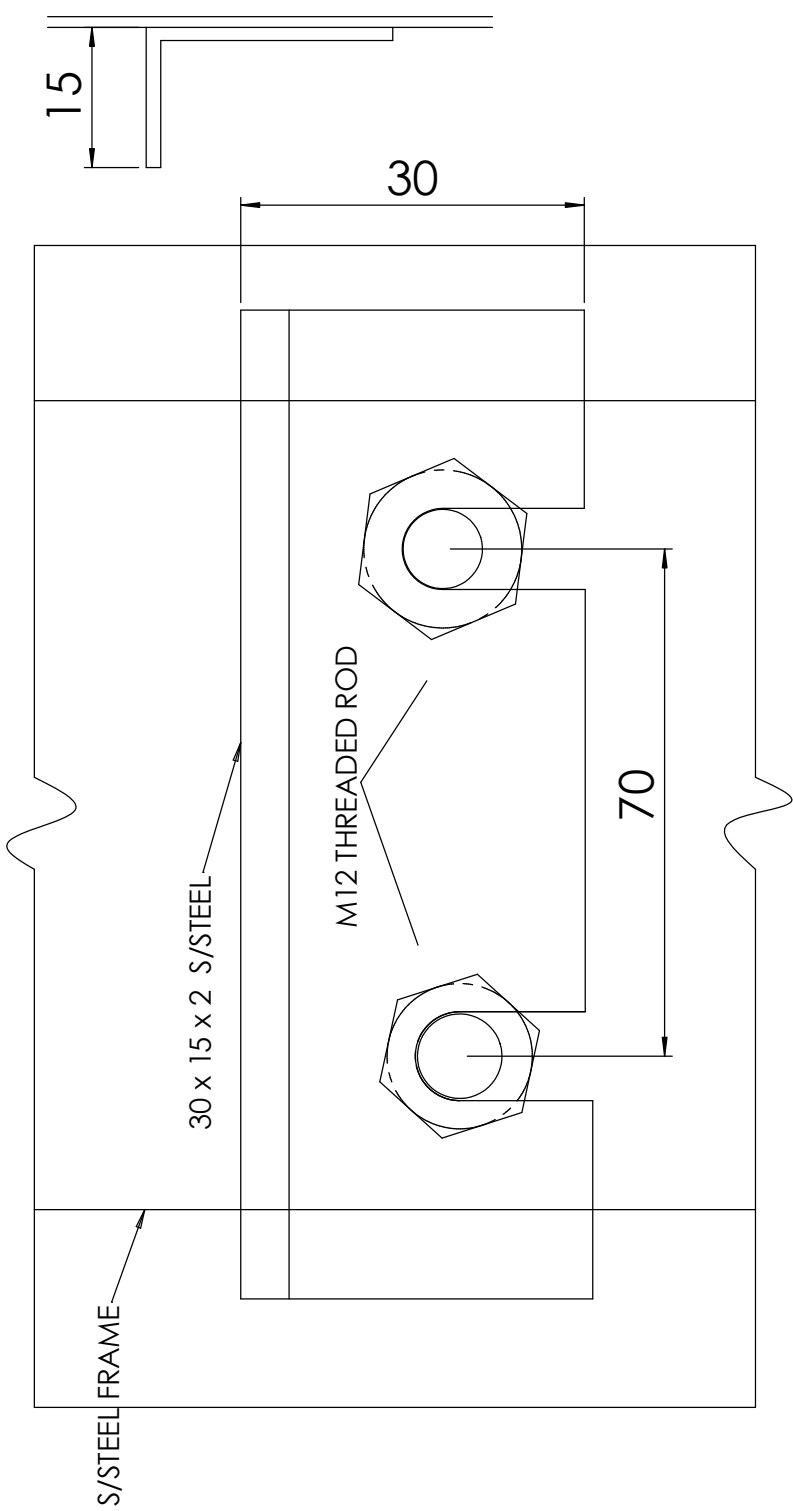
- MTL 316 S/STEEL NO 4 BRUSH 20MM
- MITRD CORNERS WELDED INSIDE JAMB ACID PASSIVATED, SCOTCH BRITE FINISHED
- BLANKED BOTTOM ENDS ON JAMBS
- COMPLETE ASSY
- LEAVE VINYL COVERING IN PLACE WHERE POSSIBLE

B 150



UNLESS OTHERWISE SPECIFIED DIMENSIONS ARE IN INCHES. TOLERANCES ARE:	CONTRACT NO.	CONTRACT NAME	WSP JOB NO	WSP ORDER	DOOR NO/ QTY	
	APPROVALS		DATE	STERIDOR FRAME TYPE B150 STD HEIGHT		
	DRAWN		23/06/00			
MATERIAL	ENGR.		SIZE	CODE	DWG. NO.	REV.
FINISH	ISSUED		A			
DO NOT SCALE DRAWING			SCALE	WEIGHT	SHEET	

APPLICATION		REVISIONS			
NEXT ASSY.	USED ON	REV.	DESCRIPTION	DATE	APPROVED



UNLESS OTHERWISE SPECIFIED DIMENSIONS ARE IN INCHES. TOLERANCES ARE:

MATERIAL

FINISH

DO NOT SCALE DRAWING

CONTRACT NO.	
APPROVALS	DATE
DRAWN BY: FREDDY	23/06/00
CHECKED	
ENGR.	
ISSUED	

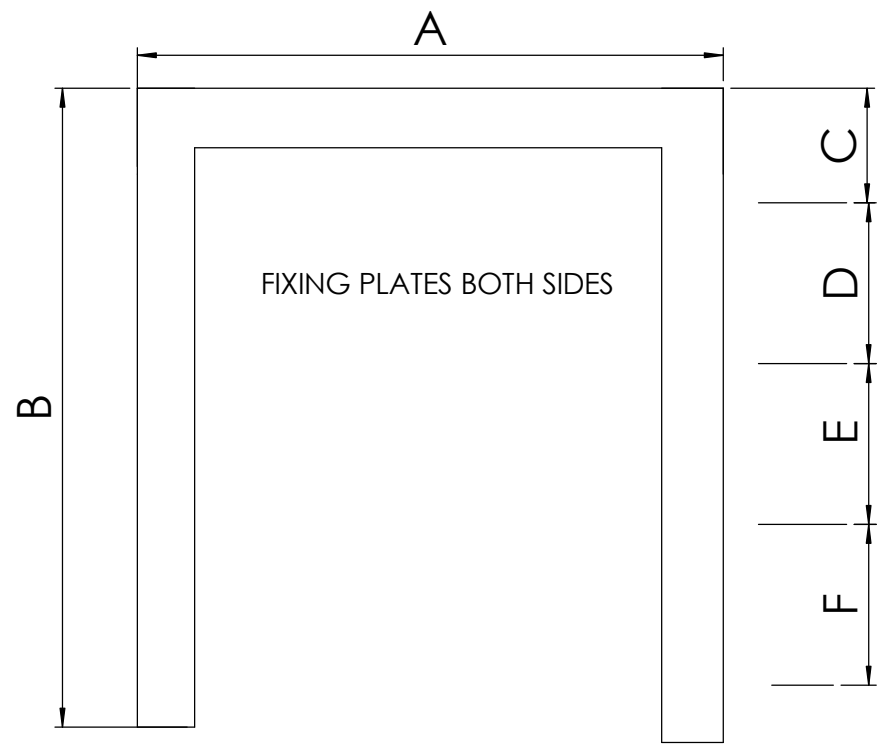
200MM WIDE BLOCK WALL			
FIXING DETAILS AND SETOUT			
SIZE	CODE	DWG. NO.	REV.
A			
SCALE	WEIGHT	SHEET	

APPLICATION		REVISIONS			
NEXT ASSY.	USED ON	REV.	DESCRIPTION	DATE	APPROVED

FRAME PROFILE HINGE SIDE



FRAME PROFILE SWING SIDE AND HEAD



UNLESS OTHERWISE SPECIFIED DIMENSIONS ARE IN INCHES. TOLERANCES ARE:

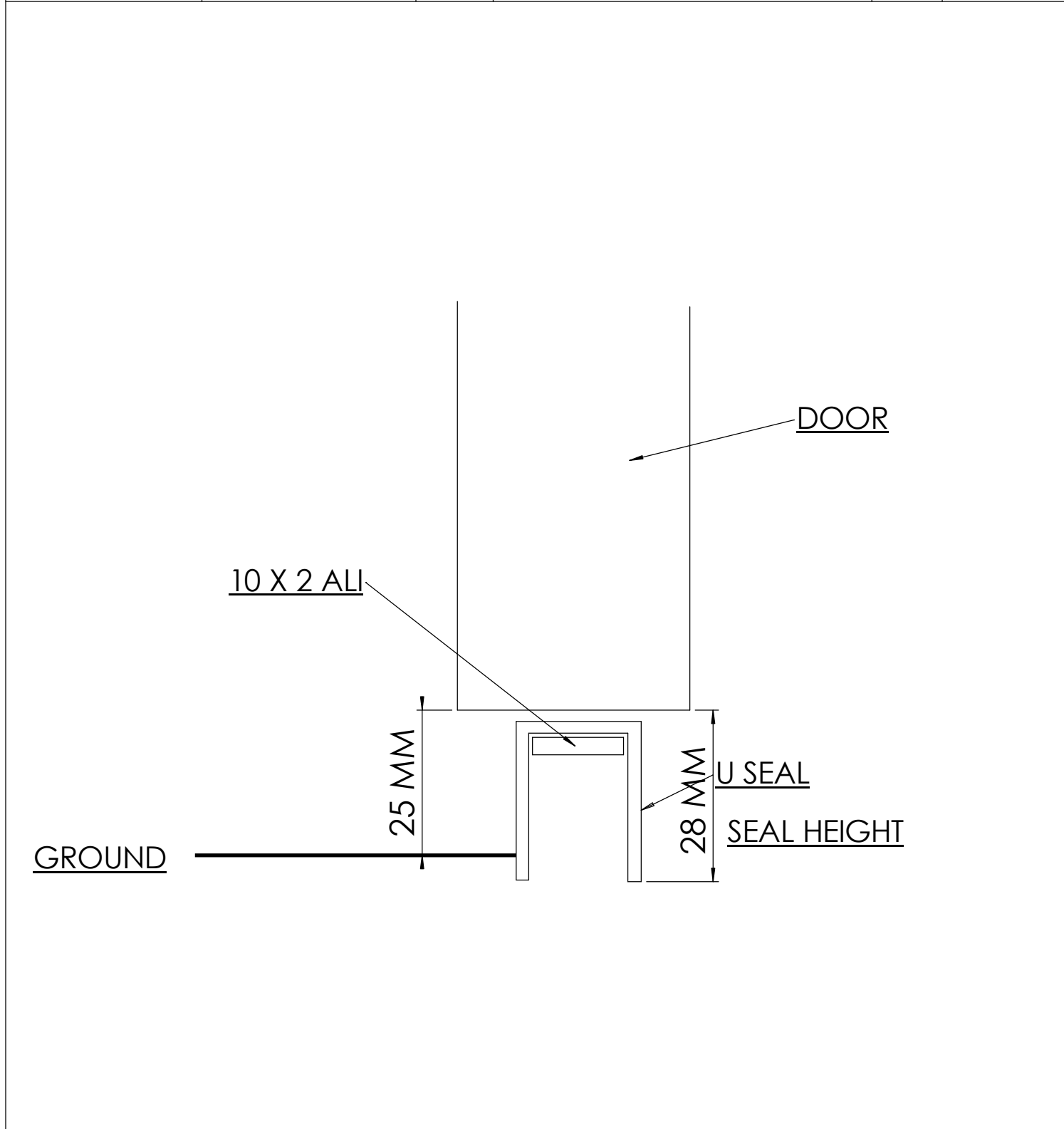
MATERIAL

FINISH

DO NOT SCALE DRAWING

CONTRACT NO.		TRANSON CLOSER			
APPROVALS	DATE	FRAME DETAILS FOR RTS 85			
DRAWN BY FREDDY	23/06/00				
CHECKED					
ENGR.		SIZE	CODE	DWG. NO.	REV.
ISSUED		A			
		SCALE	WEIGHT	SHEET	

APPLICATION		REVISIONS			
NEXT ASSY.	USED ON	REV.	DESCRIPTION	DATE	APPROVED



UNLESS OTHERWISE SPECIFIED DIMENSIONS ARE IN MM. TOLERANCES ARE: FRACTIONS DECIMALS ANGLES ± X/X .XX ± .XX ± X ° .XXX ± .XXX	CONTRACT NO.		FIBREGLASS DEVELOPMENTS LTD		
	APPROVALS		DATE		FLOOR SEAL - 3 SIDED FRAME
DRAWN: FREDDY		06/02/01			
CHECKED: S.BOND					
MATERIAL	ENGR.	SIZE	CODE	DWG. NO.	REV.
FINISH	ISSUED	A			
DO NOT SCALE DRAWING		SCALE	WEIGHT	SHEET	