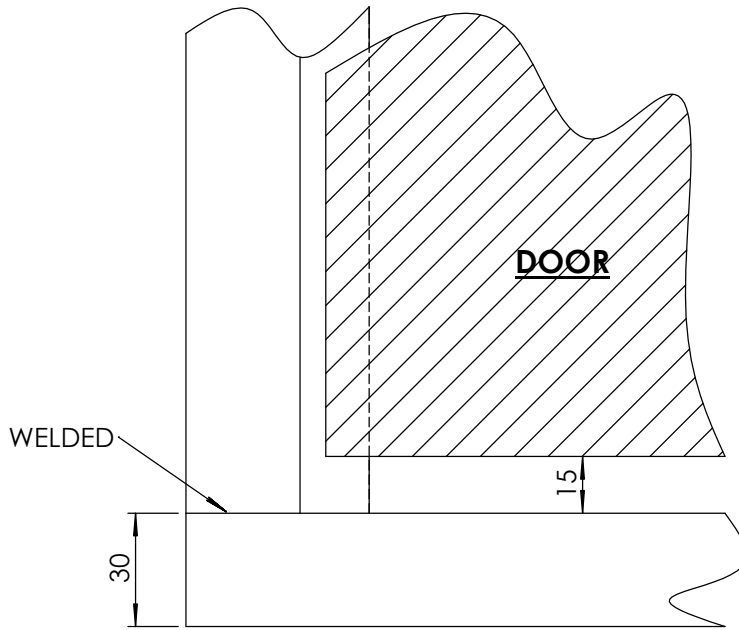
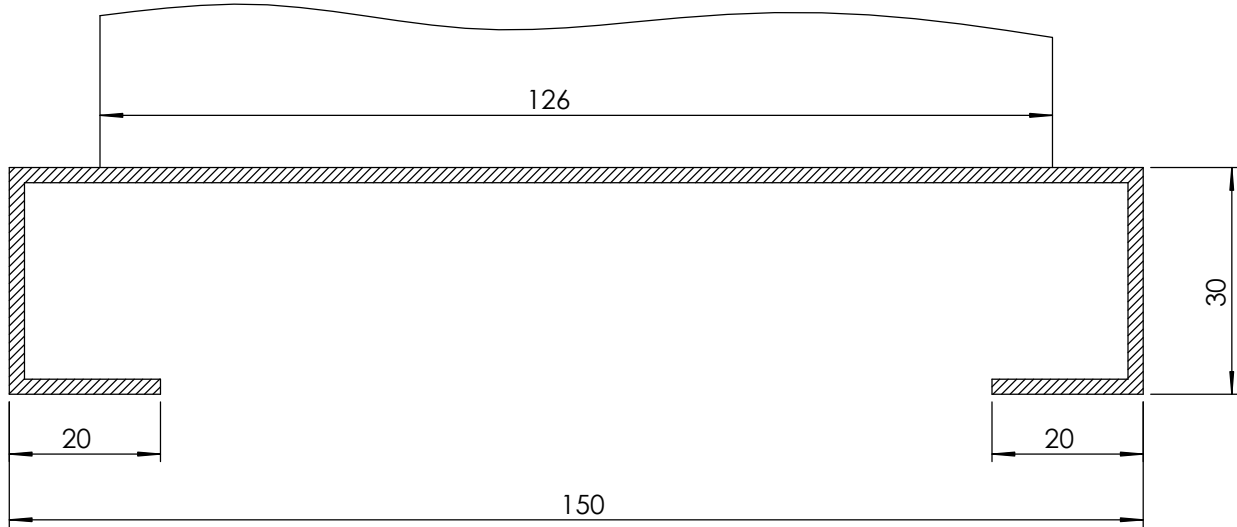


ISSUED FOR PRODUCTION:

DATE



**FRAME WITH SILL**

ALL NONCRITICAL DIMENSIONS ASSUMED TO HAVE ±2% TOLERANCE UNLESS OTHERWISE STATED  
CRITICAL DIMENSIONS (MARKED \*) AS DETAILED.

THE INFORMATION CONTAINED IN THIS DRAWING IS THE SOLE PROPERTY OF FIBREGLASS DEVELOPMENTS LTD ANY REPRODUCTION IN PART OR WHOLE WITHOUT THE WRITTEN PERMISSION OF FIBREGLASS DEVELOPMENTS LTD IS PROHIBITED.

UNLESS OTHERWISE SPECIFIED DIMENSIONS ARE IN MM.



CAD GENERATED DRAWING  
DO NOT MANUALLY UPDATE

**FIBREGLASS DEVELOPMENTS LTD**

APPROVALS	DATE
DRAWN: FREDDY	18/09/2006
CHECKED: .....	18/09/2006

**STERIDOR DOOR FRAME WITH SILL**

MATERIAL: FIBREGLASS

LATEST REVISION

SIZE A	CODE STR/FR	DWG. NO. STR/FR1/A	REV. NW
-----------	----------------	-----------------------	------------

FINISH: A

DATE 18/09/2006

DO NOT SCALE DRAWING